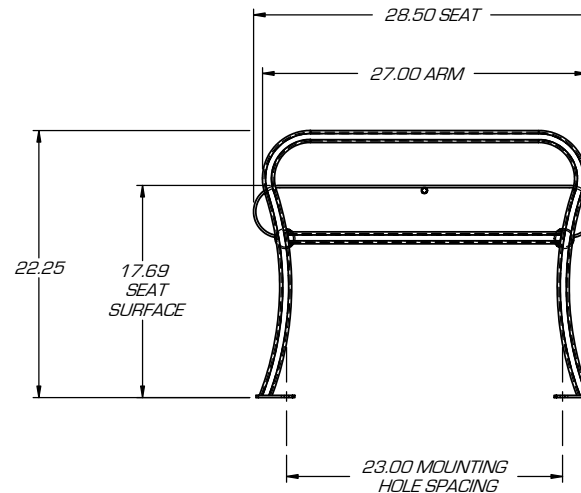
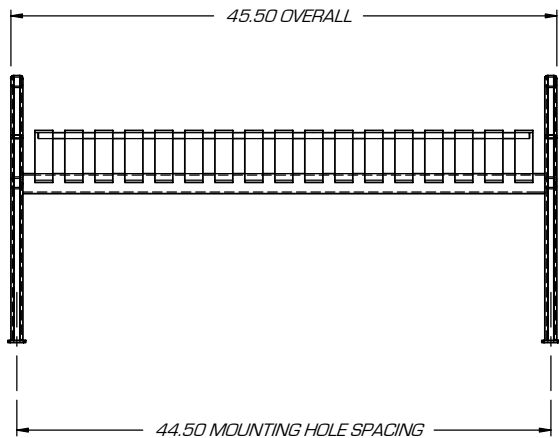
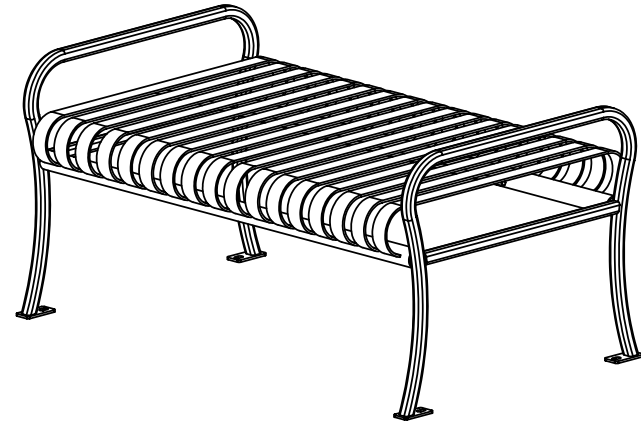
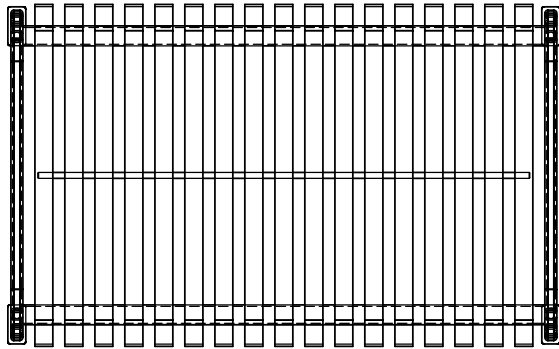


# ASSEMBLY INSTRUCTIONS

## AND SPECIFICATIONS



### MATERIAL SPECIFICATIONS:

- SEAT SLATS - 3/16" x 1-1/2" HR FLAT BAR
- FRAMES - 1" x 1/8" HSS SQUARE TUBE
- CROSSBARS - 1.66 DIA x .125"
- BRACING - 1/2" OD HR ROD

**PREMIER BACKLESS BENCH, 4 FT - PB4**

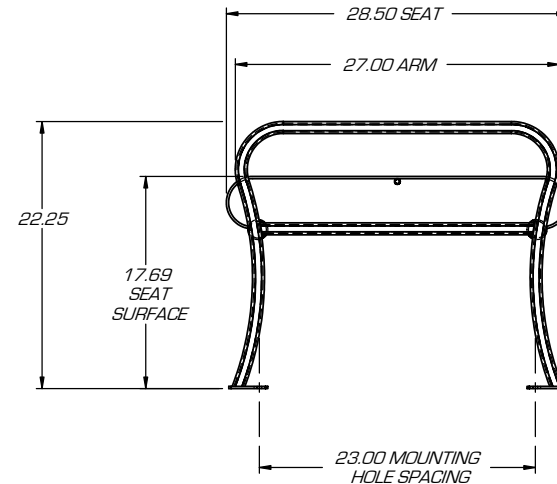
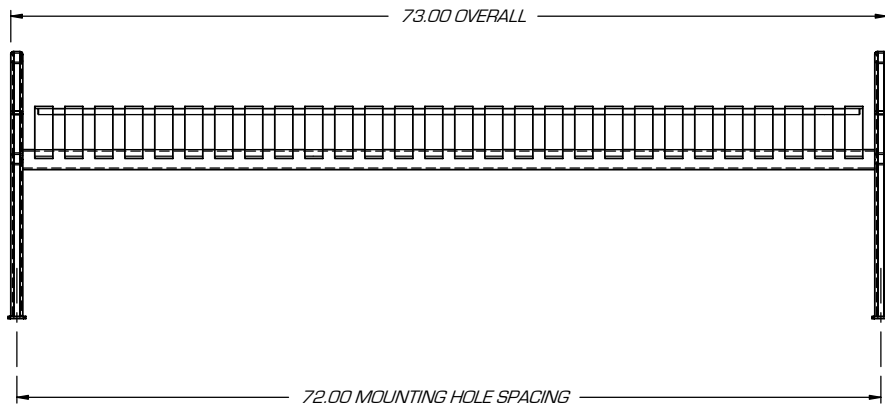
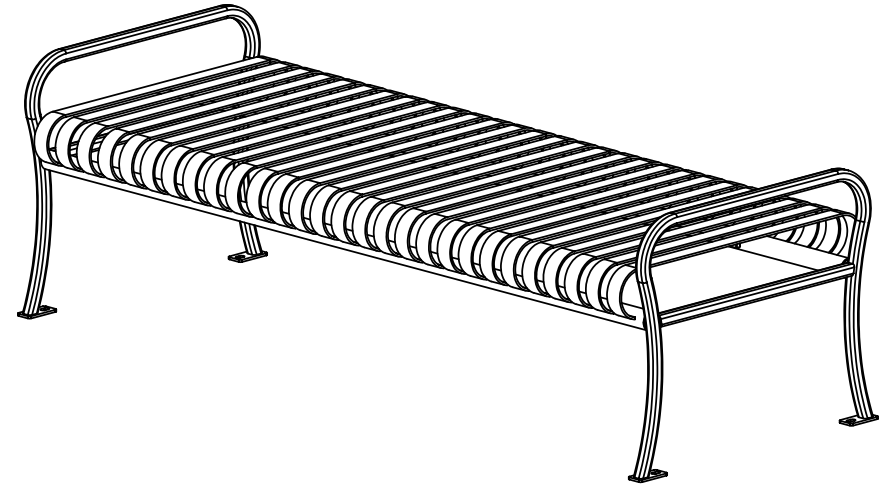
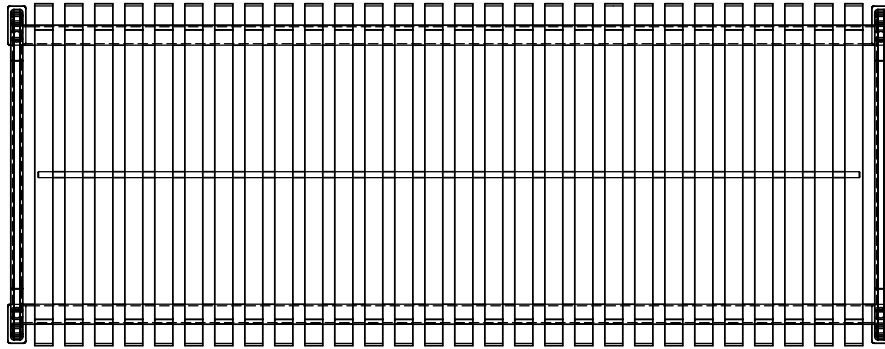
**MODEL: 71083600**

ITEM NO.	DESCRIPTION	PART NO.	QTY.
1	PREMIER BENCH WELDMENT, 4 FT BACKLESS	51043200	1

UNLESS OTHERWISE SPECIFIED, DIMENSIONS ARE IN INCHES

# ASSEMBLY INSTRUCTIONS

## AND SPECIFICATIONS



### MATERIAL SPECIFICATIONS:

- SEAT SLATS - 3/16" x 1-1/2" HR FLAT BAR
- FRAMES - 1" x 1/8" HSS SQUARE TUBE
- CROSSBARS - 1.66 DIA x .125"
- BRACING - 1/2" OD HR ROD

**PREMIER BACKLESS BENCH, 6 FT - PB6**

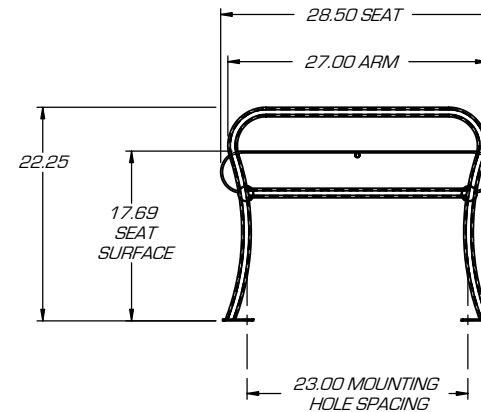
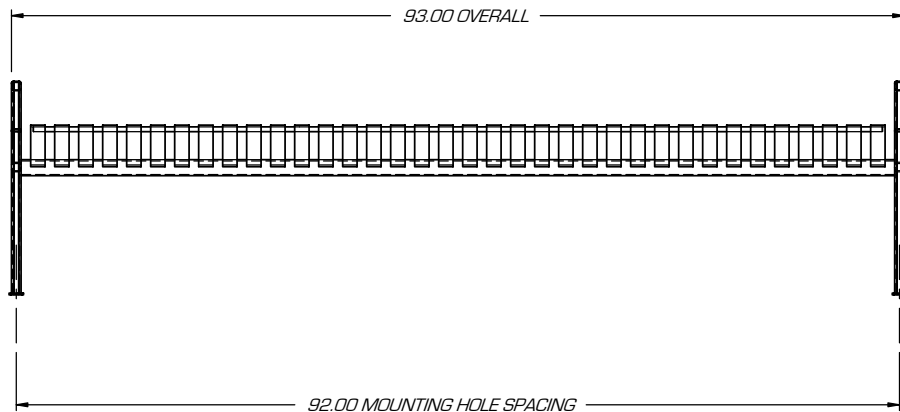
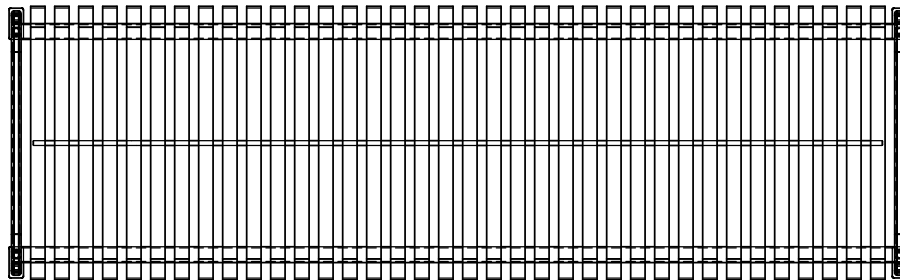
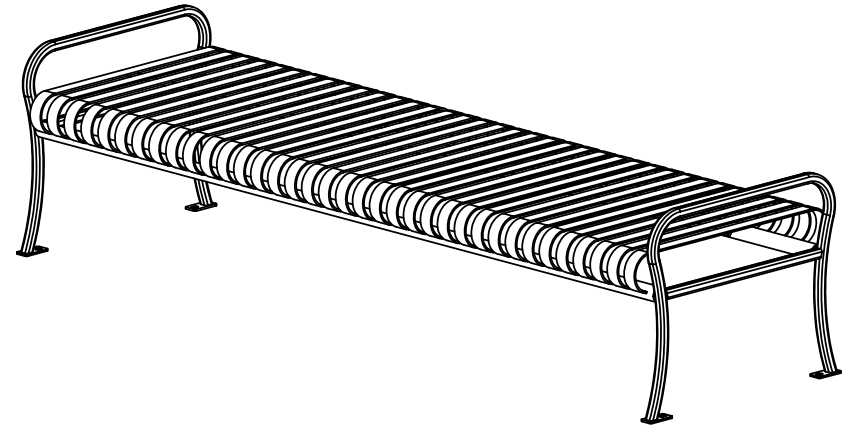
**MODEL: 71083700**

ITEM NO.	DESCRIPTION	PART NO.	QTY.
1	PREMIER BENCH WELDMENT, 6 FT BACKLESS	51043300	1

UNLESS OTHERWISE SPECIFIED, DIMENSIONS ARE IN INCHES

# ASSEMBLY INSTRUCTIONS

## AND SPECIFICATIONS



### MATERIAL SPECIFICATIONS:

SEAT SLATS - 3/16" x 1-1/2" HR FLAT BAR  
 FRAMES - 1" x 1/8" HSS SQUARE TUBE  
 CROSSBARS - 1.66 DIA x .125"  
 BRACING - 1/2" OD HR ROD

**PREMIER BACKLESS BENCH, 8 FT - PB8**

**MODEL: 71083800**

ITEM NO.	DESCRIPTION	PART NO.	QTY.
1	PREMIER BENCH WELDMENT, 8 FT BACKLESS	51043400	1

UNLESS OTHERWISE SPECIFIED, DIMENSIONS ARE IN INCHES