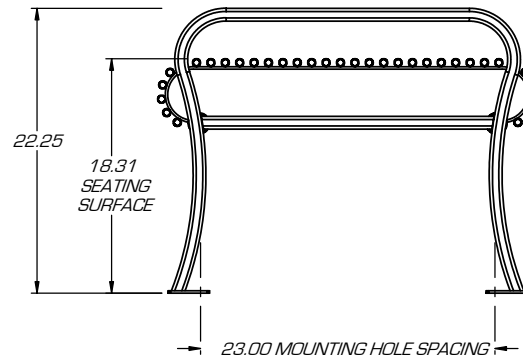
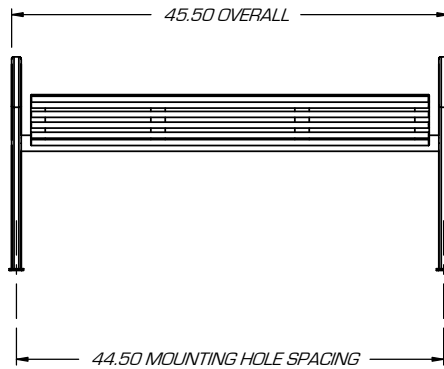
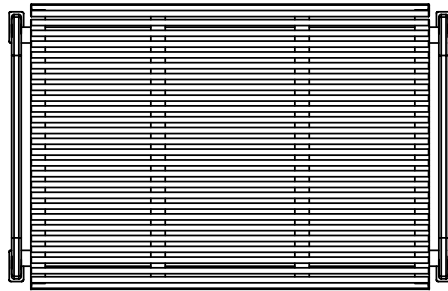
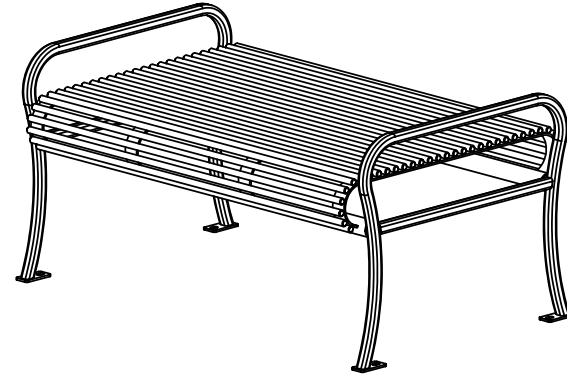


ASSEMBLY INSTRUCTIONS

AND SPECIFICATIONS



SCALE 1:15

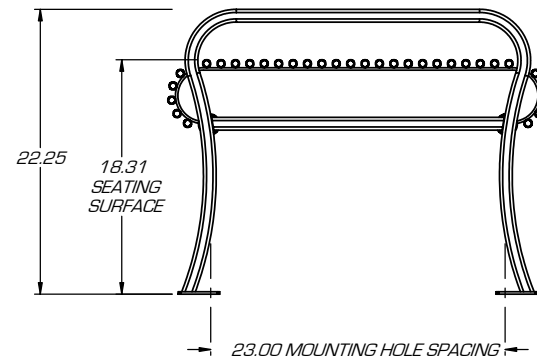
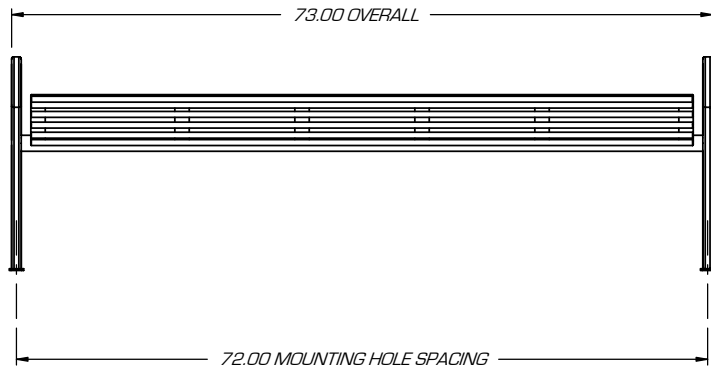
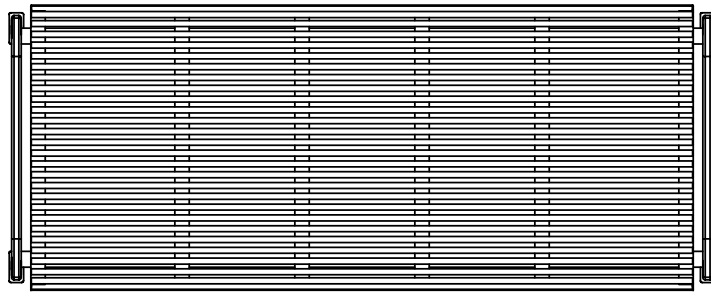
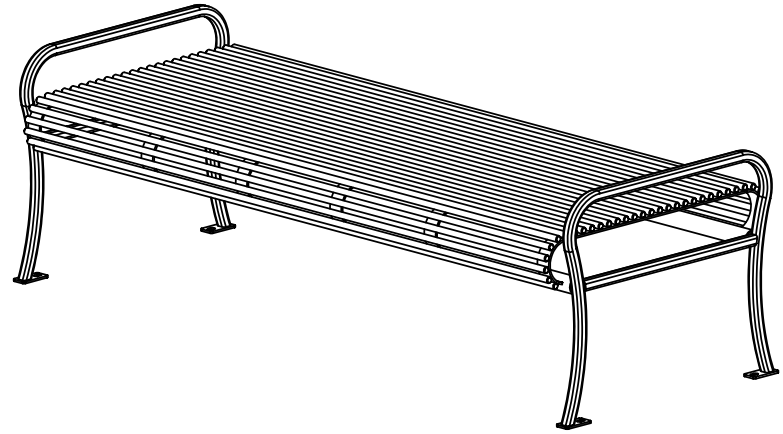
MATERIAL SPECIFICATIONS:
 FRAMES - 1" x 1/8" HSS SQUARE TUBE
 SEAT SURFACE - 5/8" DIA ROD HR
 BRACES - 3/16" FLAT BAR HRPO

RODMAN BENCH, 4 FT BACKLESS

MODEL: 71144500

ITEM NO.	DESCRIPTION	PART NO.	QTY.
1	RODMAN BENCH WELDMENT, 4 FT BACKLESS	51131600	1

ASSEMBLY INSTRUCTIONS AND SPECIFICATIONS



SCALE 1:15

MATERIAL SPECIFICATIONS:
 FRAMES - 1" x 1/8" HSS SQUARE TUBE
 SEAT SURFACE - 5/8" DIA ROD HR
 BRACES - 3/16" FLAT BAR HRPO

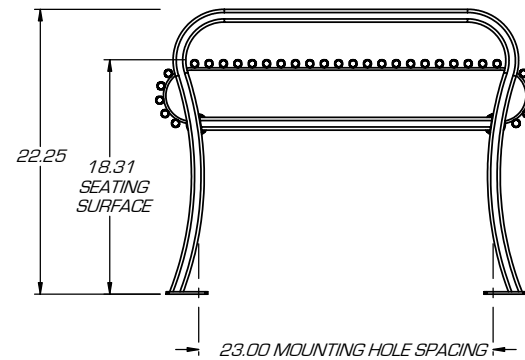
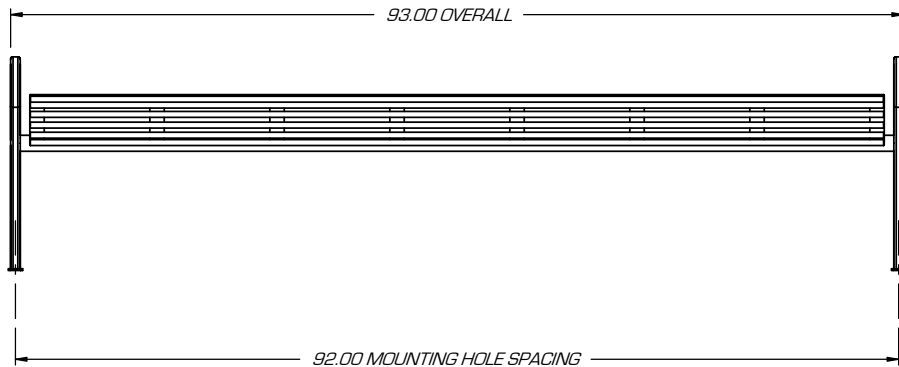
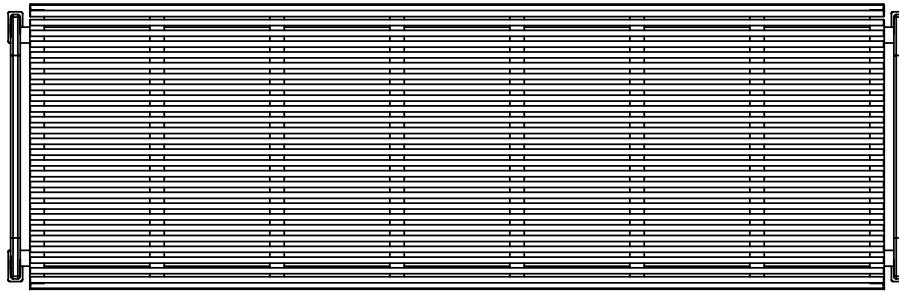
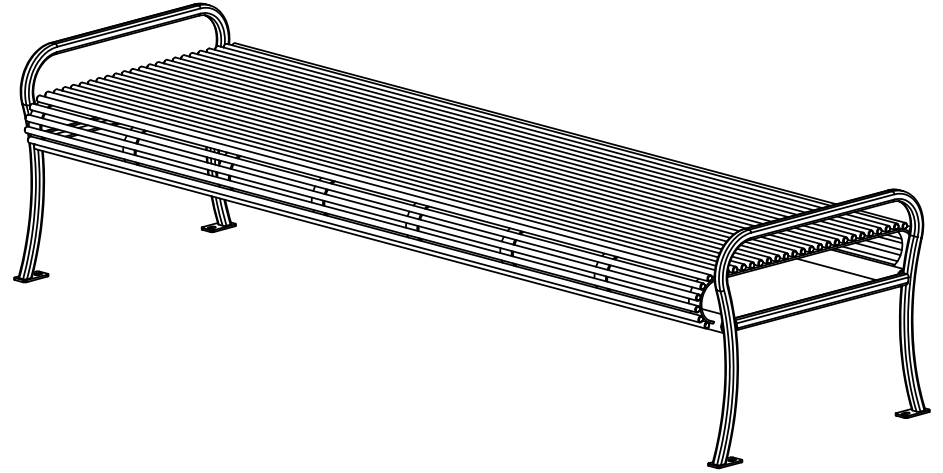
RODMAN BENCH, 6 FT BACKLESS

MODEL: 71144700

ITEM NO.	DESCRIPTION	PART NO.	QTY.
1	RODMAN BENCH WELDMNT, 6 FT BACKLESS	51131800	1

UNLESS OTHERWISE SPECIFIED, DIMENSIONS ARE IN INCHES

ASSEMBLY INSTRUCTIONS AND SPECIFICATIONS



SCALE 1:15

MATERIAL SPECIFICATIONS:
 FRAMES - 1" x 1/8" HSS SQUARE TUBE
 SEAT SURFACE - 5/8" DIA ROD HR
 BRACES - 3/16" FLAT BAR HRPO

RODMAN BENCH, 8 FT BACKLESS

MODEL: 71144900

ITEM NO.	DESCRIPTION	PART NO.	QTY.
1	RODMAN BENCH WELDMENT, 8 FT BACKLESS	51132000	1

UNLESS OTHERWISE SPECIFIED, DIMENSIONS ARE IN INCHES