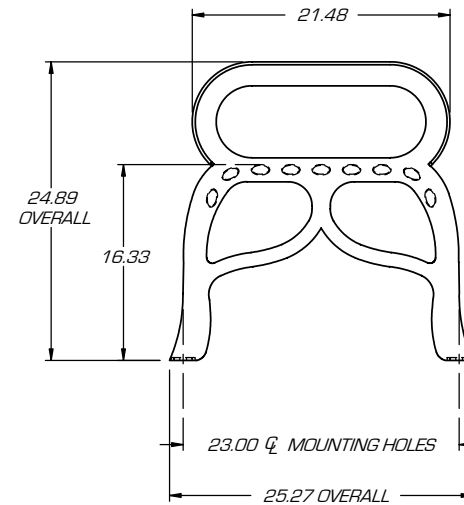
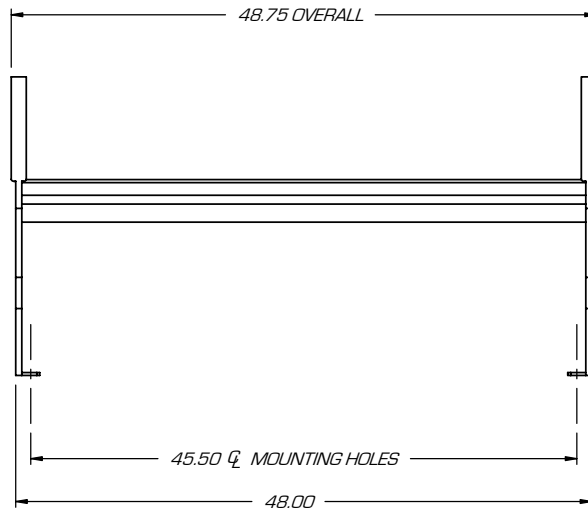
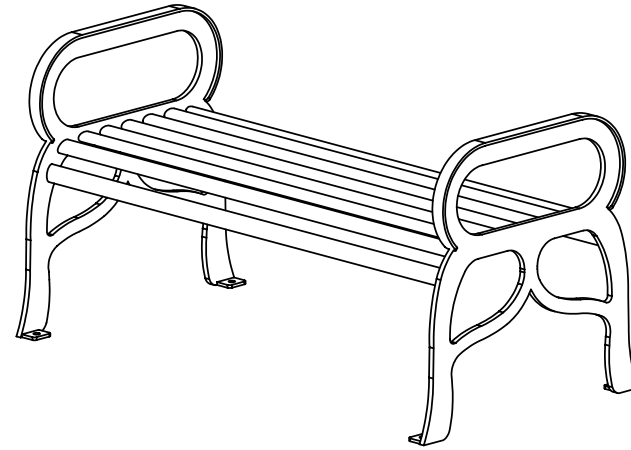


# ASSEMBLY INSTRUCTIONS AND SPECIFICATIONS

MATERIAL SPECIFICATIONS  
 FRAME - 1/2" HR  
 ARM REST & MOUNTING PLATES - 1/4" HR  
 SEATING SURFACE - .88 x 1.53 x 16 GA OVAL CREW TUBE



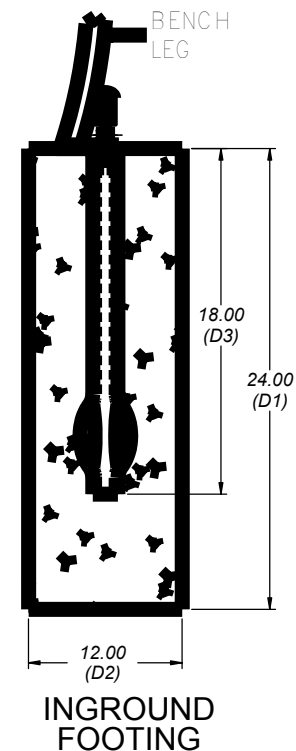
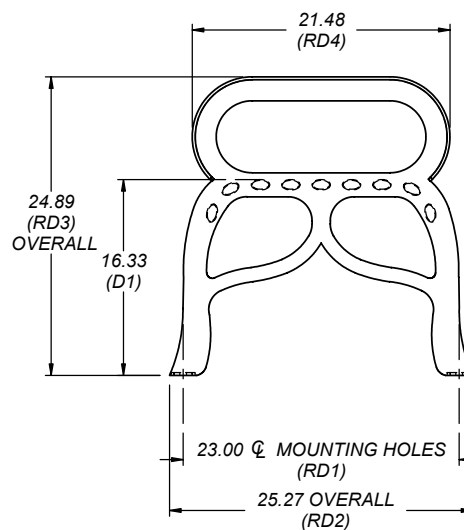
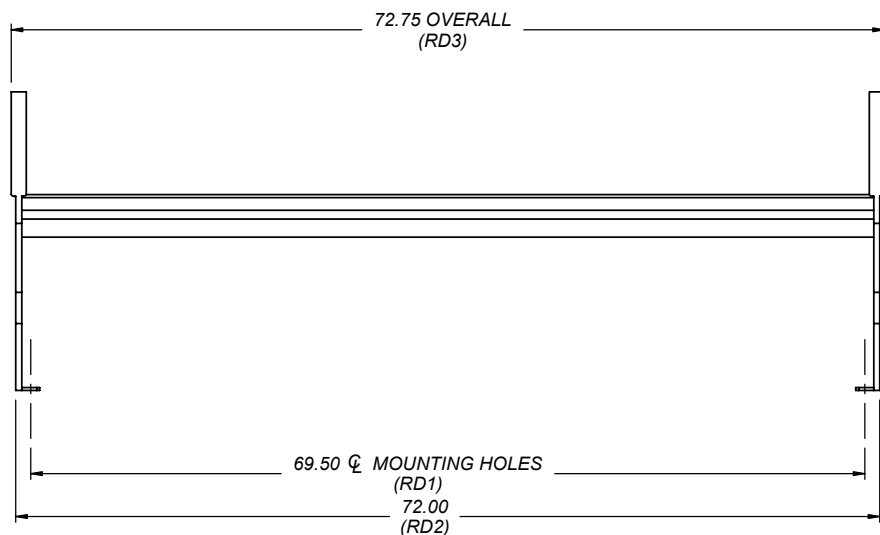
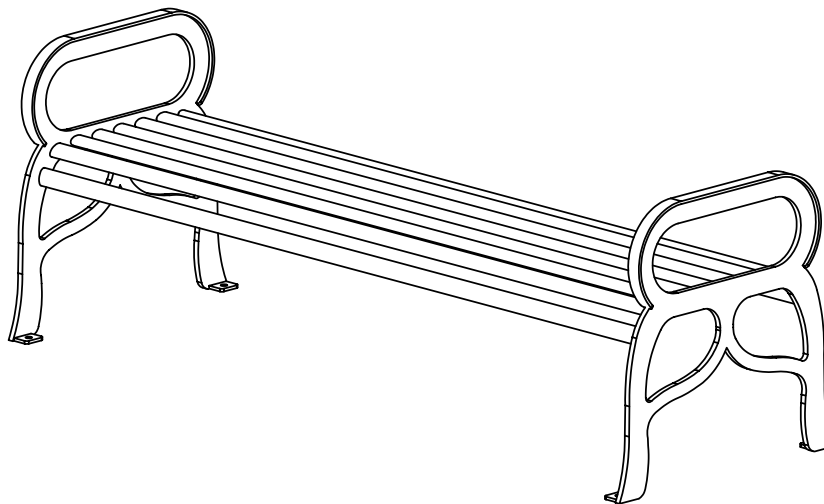
**NEWPORT BACKLESS BENCH, 4 FT**

**MODEL: 71149600**

ITEM NO.	DESCRIPTION	PART NO.	QTY.
1	NEWPORT BACKLESS BENCH WELDMENT, 4 FT	51153900	1

# ASSEMBLY INSTRUCTIONS AND SPECIFICATIONS

MATERIAL SPECIFICATIONS  
 FRAME - 1/2" HR  
 ARM REST & MOUNTING PLATES - 1/4" HR  
 SEATING SURFACE - .88 x 1.53 x 16 GA OVAL CREW TUBE



**NEWPORT BACKLESS BENCH, 6 FT**

**MODEL:71149700**

ITEM NO.	DESCRIPTION	PART NO.	QTY.
1	NEWPORT BACKLESS BENCH WELDMNT, 6 FT	51154000	1

UNLESS OTHERWISE SPECIFIED, DIMENSIONS ARE IN INCHES