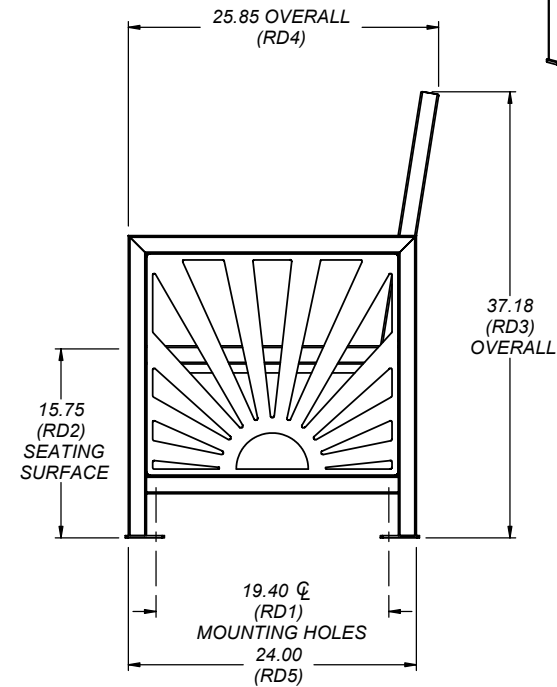
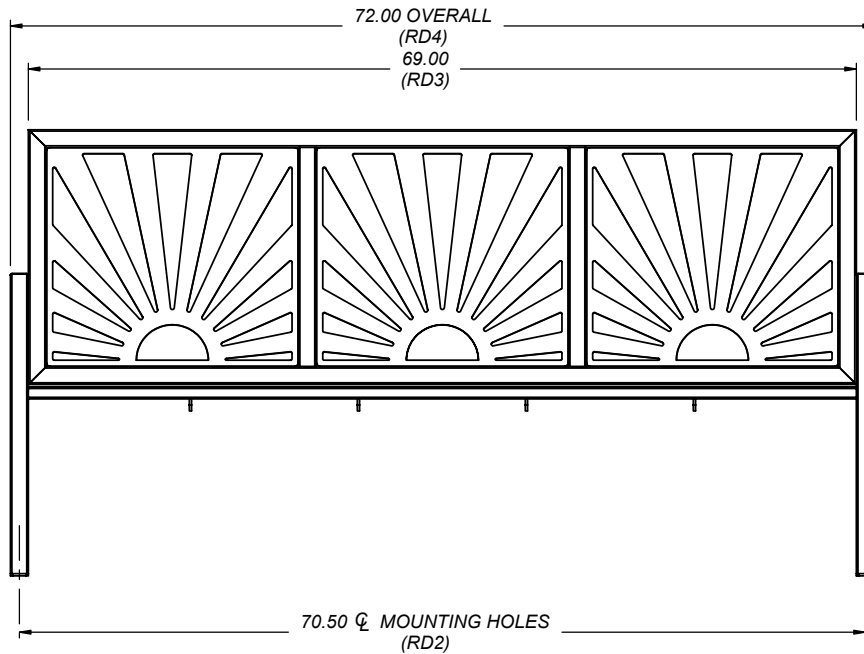
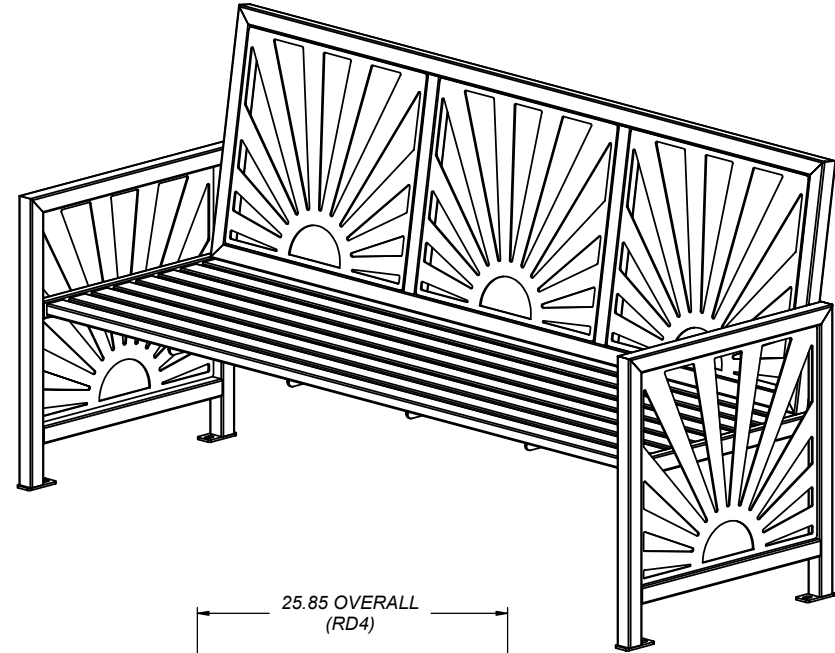


ASSEMBLY INSTRUCTIONS AND SPECIFICATIONS

MATERIAL SPECIFICATIONS

FRAME - 1-1/2" x .065" SQ HRPO TUBE
 SEATING SURFACE - 1" x 2" x .065" HRPO TUBE
 PANEL INSERT - 11 GA HR
 MOUNTING PLATES - 7 GA HR



DESIGNER BENCH, 6FT, SUNBURST

MODEL:71144200