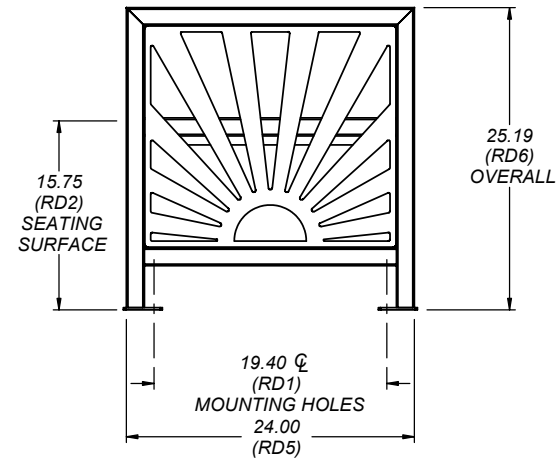
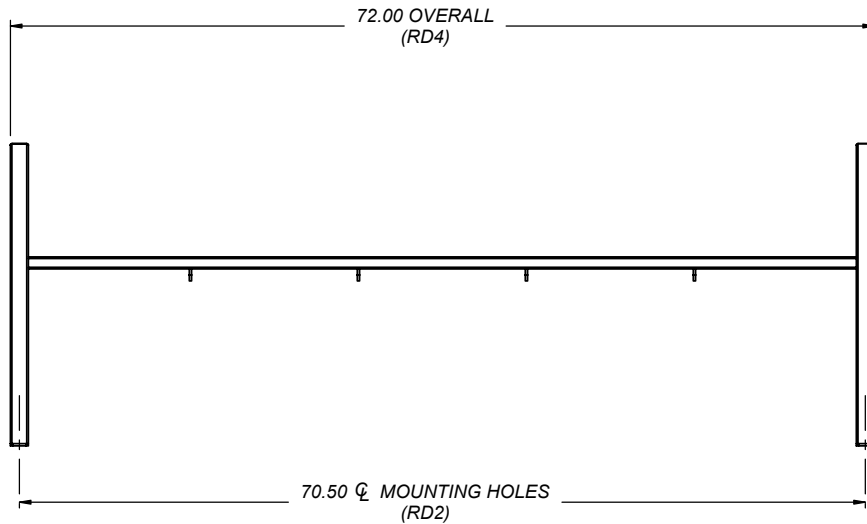
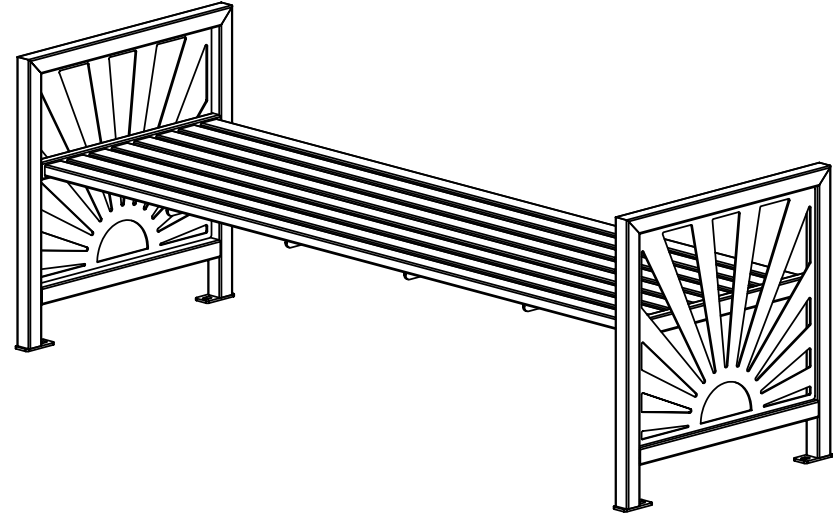


ASSEMBLY INSTRUCTIONS AND SPECIFICATIONS

MATERIAL SPECIFICATIONS

FRAME - 1-1/2" x .065" SQ HRPO TUBE
SEATING SURFACE - 1" x 2" x .065" HRPO TUBE
PANEL INSERT - 11 GA HR
MOUNTING PLATES - 7 GA HR



DESIGNER BACKLESS BENCH, 6FT, SUNBURST
MODEL:71144400