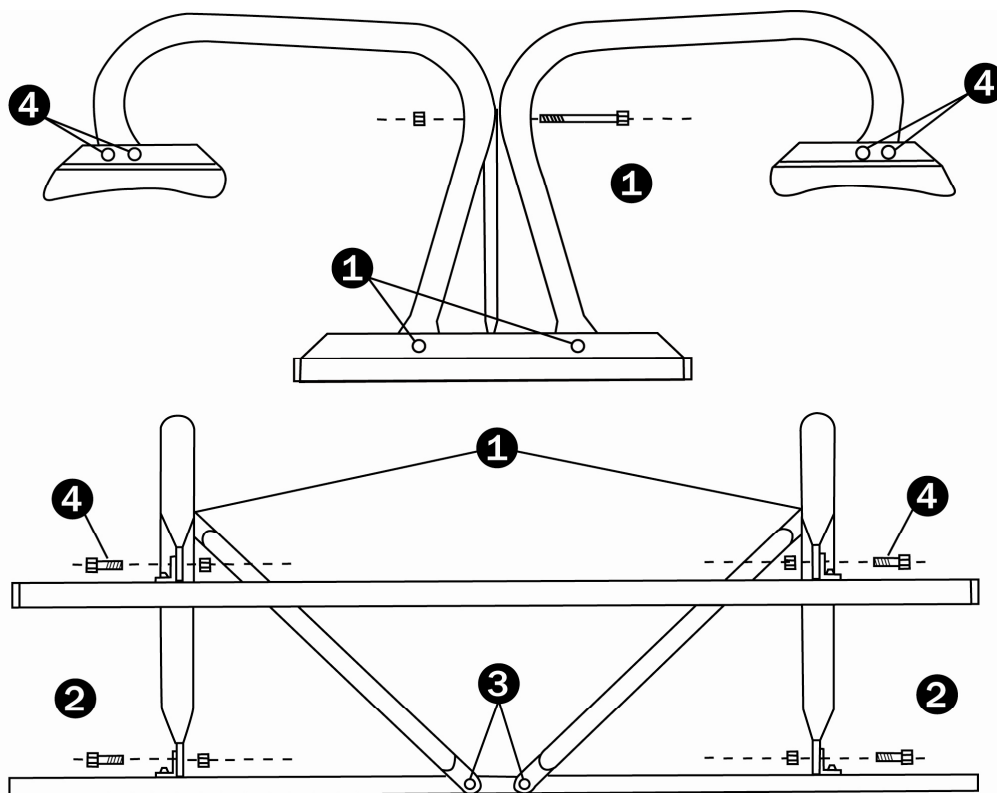


Southern PIKNIK®

Deluxe Picnic Assembly



1. Lay table flat side down on carton or pad to protect finish.
2. Attach table legs and cross bars together with 5/16" x 4" hex bolts as shown at points (1) hand tighten only.
3. Fasten table legs to table top through center hole in leg end and slotted hole in angle bracket at points (2) hand tighten only. Table legs should be fastened to the inside of the table brace & seat braces.
4. Bolt cross bars to table top at points (1) & (3).
5. Position and bolt contour seat assembly to legs at points (4) exactly as shown in Detail "A". It is very important to note that the hole locations in the seat brackets are off center and the short dimension is located along the outside edge of the seat. Reversal of this position can cause your table to be unstable under certain seating conditions.
6. Set table upright on flat surface, level top, and tighten connections at all points.



Note:

Install all legs inside of mounting angles on seats and on top!

